

DMK KOLDING

PRODUCT CATALOGUE



DMK KOLDING

A graphic element consisting of several overlapping, horizontal red brushstrokes that taper to the right, positioned below the text 'DMK KOLDING'.

LAB SPONGES

- Lab sponges are used by the OR team to for absorbing blood, exudates and/or cleaning wounds.
- Under the Selko sewing of bleaching gauze, our sponges are soft, clean and have a strong ability for liquid absorption.
- Have a barium sulfate track line or tape inside that can effectively avoid the gauze left in the patient's body after X-Ray fluoroscopy imaging; the cotton blue loop facilitates the sponge's removal by the doctor during surgery.
- In accordance with customers' requirements, we can produce different specifications applicable for a variety of surgeries.



1

DMK KOLDING
CE

GAUZE SWABS

- Gauze swabs are mainly used to absorb blood and exudates during surgery. It can prevent wound infection.
- All swabs are folded by machines. They are colorless, odorless, and soft - and have a good absorbent capacity.
- Based on customer requirements, the product can be customized.



2

DMK KOLDING
CE

BANDAGES

- Widely used in bandaging care.
- Made with the highest quality material – they are soft, odorless and tasteless with good air permeability and strong water absorption capacity.
- Based on customer requirements, the product can be customized.



High Compression Bandage

- Latex or latex free, with selvedge and a fixed end. Skin color or white.
- High elasticity with extensibility about %220.

Size	Pcs/Polythene Bag	Pcs/Outer Carton
5cm×4.5m	12	720
7.5cm×4.5m	12	480
10cm×4.5m	12	360
15cm×4.5m	12	240

Elastic Bandage With Spandex

- Made of spandex and cotton threads, with selvedge and a fixed end; plain or crepe. White, bleached or skin color.
- High elasticity with extensibility about %220.
- Good skin tolerance with extensibility about %180.

Size	Pcs/Polythene Bag	Pcs/Outer Carton
5cm×4.5m	12	720
7.5cm×4.5m	12	480
10cm×4.5m	12	360
15cm×4.5m	12	240

BANDAGES

Conforming Bandage (PBT)

- Made of PBT and cotton threads, with selvedge; plain or crepe. White, bleached or special white.
- High elasticity with extensibility about %220.
- Soft and thin, permeable. With non-confined joints.

Size	Pcs/Polythene Bag	Pcs/Outer Carton
5cm×4.5m	12	1440
7.5cm×4.5m	12	720
10cm×4.5m	12	720

Gauze Bandage (side woven)

- Made of %100 cotton threads. Non elastic.
- Absorbent, light support, comfortable to wear, permeable to air.

Size	Pcs/Polythene Bag	Pcs/Outer Carton
5cm×4.5m	12	1440
7.5cm×4.5m	12	1080
10cm×4.5m	12	720
15cm×4.5m	12	540

First-aid Bandage

- Elastic PBT bandage with an absorbent non-woven pad.
- Good skin tolerance, easy to use, ideal for first-aid swaddle. Packed individually.

Size	Pcs/Polythene Bag	Pcs/Outer Carton
5cm×4.5m	12	1440
7.5cm×4.5m	12	480
10cm×4.5m	12	360
15cm×4.5m	12	240

Tubular Bandage

- Made of pure cotton or cotton& rubber. Designed to provide support& compression. Soft on skin, and can be used without applicator.

Size	Pcs/Polythene Bag	Pcs/Outer Carton
4.5cm×10m	12	480
6.75cm×10m 1 30	12	360
10cm×10m 1 20	12	240
15cm×10m 16 1	1	40
6.75cm×10m	1	30
10cm×10m	1	20
15cm×10m	1	16

BANDAGES

Plaster of Paris Bandage & Orthopedic Padding

- Plaster of Paris bandage is made of plaster powder and gauze.
- Orthopedic padding is made of natural or synthetic non woven fabric.
- Both are used for fixation.

Size	Pcs/Polythene Bag	Pcs/Outer Carton
5cm×4.6m	12	144
7.5cm×4.6m	12	144
10cm×4.6m	12	72
15cm×4.6m	12	72

Size	Pcs/Polythene Bag	Pcs/Outer Carton
5cm×2.7m	12	720
7.5cm×2.7m	12	480
10cm×2.7m	12	360
15cm×2.7m	12	240

Orthopedic Casting Bandage

- Made of meshed support textile and high polymer material. Used for fixation. Packed individually

Size	Pcs/Polythene Bag	Pcs/Outer Carton
5cm×3.6m	12	60
7.5cm×3.6m	12	60
10cm×3.6m	12	60
15cm×3.6m	12	60

Paraffin Gauze

- Made of leno-woven gauze which is paraffin coated.
- Used as a primary wound contact layer. Packed individually.

Size	Pcs/Polythene Bag	Pcs/Outer Carton
5cm×5cm	12	2000
7.5cm×7.5cm	12	1000
10cm×10cm	12	1000
10cm×20cm	12	1000

Pure Cotton Bandage

- Made of pure cotton threads. White or bleached. Crepe..

Size	Pcs/Polythene Bag	Pcs/Outer Carton
5cm×4.5m	12	720
7.5cm×4.5m	12	480
10cm×4.5m	12	360
15cm×4.5m	12	240

BANDAGES

Bamboo Fiber Bandage

- Natural, green and eco-friendly, %100 biodegradable, sustainable. The whole process is a natural one, maintaining the organic heritage of bamboo.
- Bamboo fiber owns a unique anti-bacterial and bacteriostatic agent named “bamboo quinine”.
- Unparalleled microstructure provides great moisture absorption, 4-3 times better than cotton.
- Achieved 50 on the UPF scale, which amounts to a %98 reduction in UV activity.

Test organisms	Concentration of bacteria (cfu/mL)	The number of bacteria recovered from			%Reduction
		/	at”0H” contact time	at”24H” contact time	
Klebsiella Pneumoniae ATCC 4352	1.3×10^2	Sample	5.8×10^2	< 100	99.8
	1.1×10^2	Sample	7.3×10^2	4.8×10^2	93.4

Ice Bandage

- Cooling effect lasts up to 2 hours.
- No refrigeration needed.
- Ice cooling effect will begin after 10 minutes even in extremely hot temperatures.
- Constant equal pressure needs to be applied to the injury.
- Ideal for sports bag or home first aid kits – including muscle strains, sprains, bruises, swellings and contusions.

SURGICAL

SCRUB BRUSHES

- The surgical scrub brush is made using high temperature resistance material. It is mainly used for cleaning and disinfecting hands prior to surgery.
- It is designed according to the human nail pattern. The sting is soft and comfortable, and its distance is effective to keep the antiseptic soap or liquid, hence convenient for use.



MOLD

INJECTION PRODUCTS

- Non-toxic products. Heat and cold resistant with soft-colored appearance that is easy to clean.
- Based on customer requirements, the product can be customized.

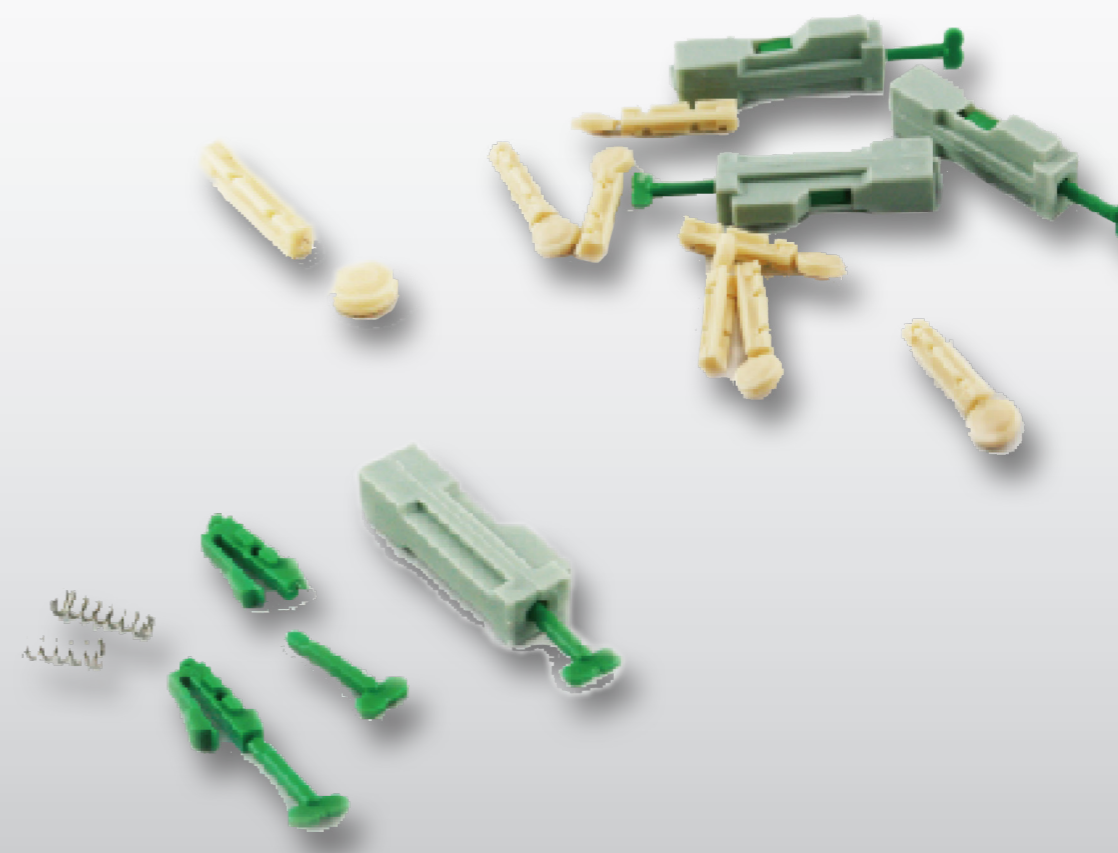


DMK KOLDING
CE

SAFETY

BLOOD LANCETS

- Widely used in human peripheral blood sampling of the various types of hospital out-patient tests such as blood routine examination, rapid CRP, microelement and so on.
- The lancets are made with precise angle, and are of moderate length to maximally reduce patient pain by using advance needle grinding technology.
- The design of the structure is patented which is integrated, smooth, and beautiful to ensure the quality.
- Unique Security Design: Original security patented products that can protect healthcare workers from accidental injury of dirty needles, avoid the spread of blood-borne diseases and cross infection to create a safe working environment for healthcare workers.



DMK KOLDING
CE

FIRST AID KIT

- A comprehensive kit with a first-aid kit manual.
- A unique exterior design, popular package style, novel, generous space, which is easy to carry and hang.
- Based on customer requirements, the product can be customized.



MEDICAL

ADHESIVE PLASTERS

Zinc Oxide Adhesive Plaster – With Porous

- Cotton, silk cloth coated with Zinc Oxide adhesive.
- Effectively secures dressings in place
- Flexible, easy-to-tear.
- Porous, highly breathable to maintain skin integrity.

Size (WxL)	Material	Backing Material	Colour	Packing
5cm*5m	Cotton/Silk	PE film/Silicone Paper	White/Pink/Skin	Individually packed or 6 rolls/box
10cm*5m	Cotton/Silk	PE film/Silicone Paper	White/Pink/Skin	Individually packed or 6 rolls/box
18cm*5m	Cotton/Silk	PE film/Silicone Paper	White/Pink/Skin	Individually packed or 6 rolls/box

- In accordance with customers' requirements, custom sizes are available upon request.

MEDICAL

ADHESIVE PLASTERS

Zinc Oxide Adhesive Plaster – Breathable or Water Proof

- Fabric coated with Zinc Oxide adhesive.
- Effectively secures dressings in place.
- Flexible, easy-to-tear.
- Highly breathable.

Width	Length	Colour	Packing
1.25cm	5m/10m	White/Skin	Individually packed or 24 rolls/box
2.5cm	5m/10m	White/Skin	Individually packed or 24 rolls/box
5cm	5m/10m	White/Skin	Individually packed or 24 rolls/box
7.5cm	5m/10m	White/Skin	Individually packed or 24 rolls/box
10cm	5m/10m	White/Skin	Individually packed or 24 rolls/box

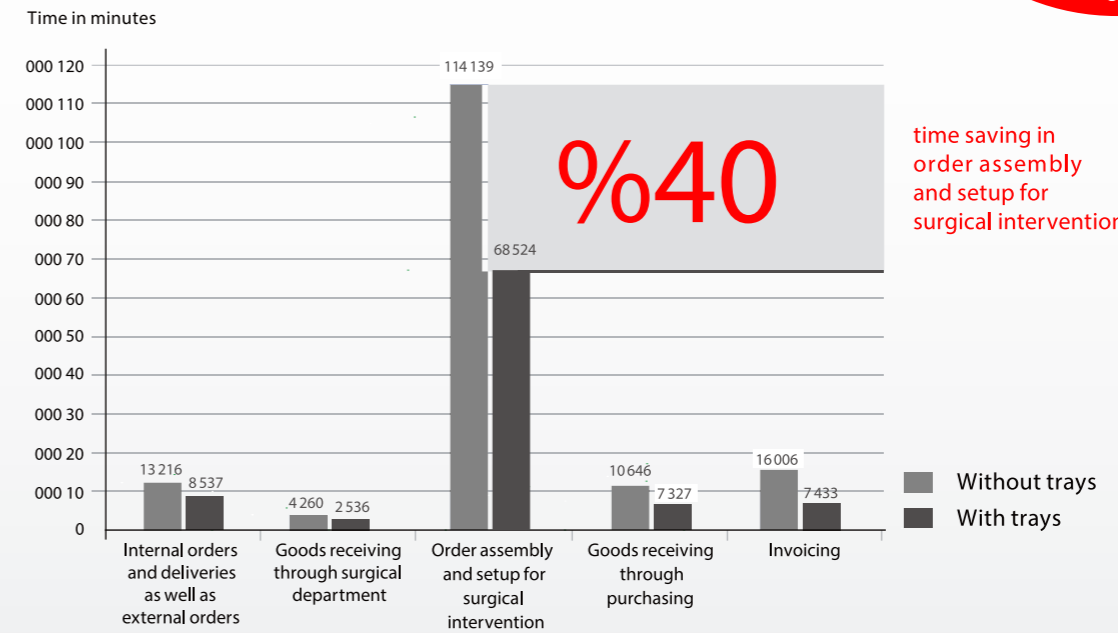
- In accordance with customers' requirements, custom sizes are available upon request.
- Zig-zag edge of the adhesive plaster can also be provided upon request.

SURGICAL

DRAPES & PACKS

MedPack®

Comparison of total time with and without MedPack® (11 different types of packs in 2,785 interventions in total)



Surgical Drape Packs provide a convenient solution for everyday draping

• Absorbent

The absorbent qualities of the fabric controls and contains fluid, reducing clean-up time, potential exposure to body fluids and risk to staff from fluid on the floor.

• Impervious

The fluid control and impervious features of the fabric mean that only

a single layer of drapes is required. Our surgical drapes are impervious to liquid strikethrough which can help to reduce bacterial transfer and subsequent contamination of the surgical site.

• Adhesion

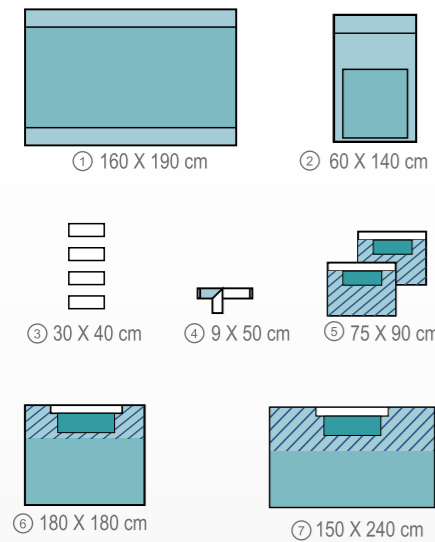
3M is a leader in adhesive technology and has applied this expertise to provide surgical drapes with consis-

tently reliable adhesion to the skin. Thanks to our reliable partner, 3M, we are able to ensure the adhesion of all surgical drapes and pack.

GENERAL

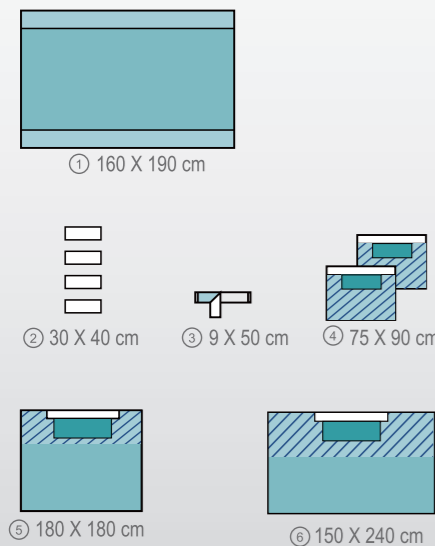
SURGERY PACKS

Universal Pack with Mayo Stand Cover

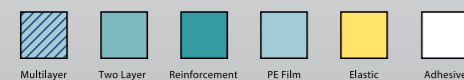


No.	Product Name	Size	Quantity
1	Back Table Cover	190×160cm	1
2	Mayo Stand Cover	140×60cm	1
3	Towel	40×30cm	4
4	Op-Tape	50×9cm	1
5	Adhesive Side Drape	90×75cm	2
6	Adhesive Bottom Drape	180×180cm	1
7	Adhesive Top Drape	240×150cm	1

Universal Pack without Mayo Stand Cover



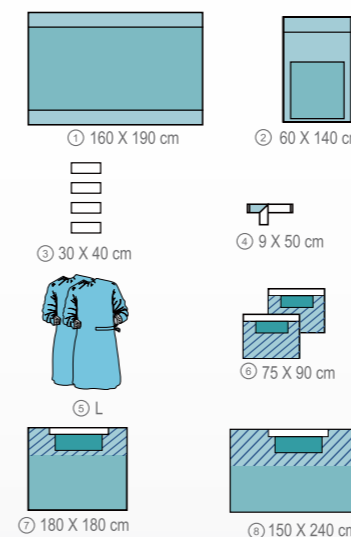
No.	Product Name	Size	Quantity
1	Back Table Cover	160×190cm	1
2	Towel	30×40cm	4
3	Op-Tape	9x50cm	1
4	Adhesive Side Drape	75x90cm	2
5	Adhesive Bottom Drape	180x180cm	1
6	Adhesive Top Drape	150x240cm	1



GENERAL

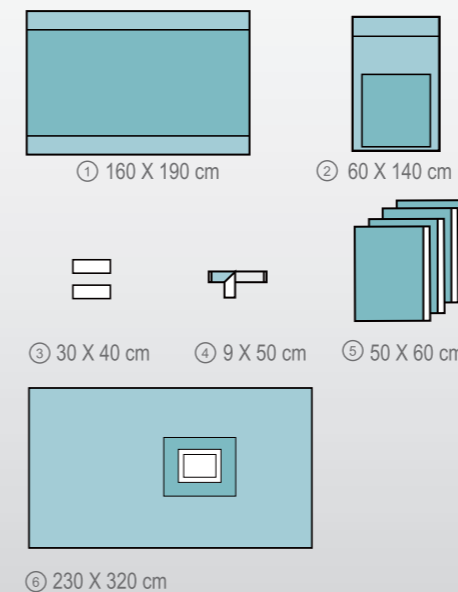
SURGERY PACKS

Universal Pack with Mayo Stand Cover & Gown

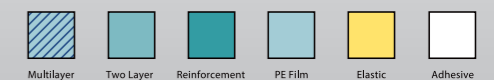


No.	Product Name	Size	Quantity
1	Back Table Cover	190×160cm	1
2	Mayo Stand Cover	140×60cm	1
3	Towel	40×30cm	4
4	Op-Tape	50×9cm	1
5	Standard Gown	L	2
6	Adhesive Side Drape	90×75cm	2
7	Adhesive Bottom Drape	180×180cm	1
8	Adhesive Top Drape	240×150cm	1

Laparotomy Pack



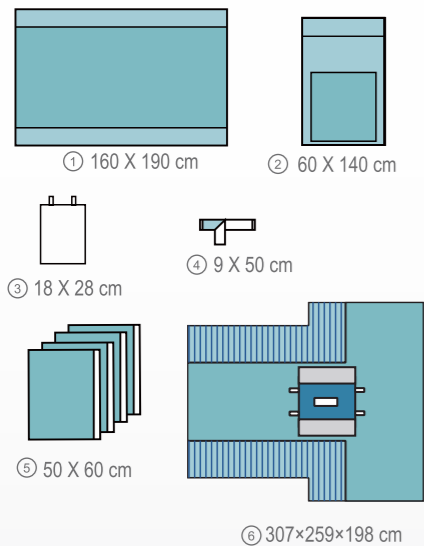
No.	Product Name	Size	Quantity
1	Back Table Cover	160×190cm	1
2	Mayo Stand Cover	60×140cm	1
3	Towel	30x40cm	2
4	Op-Tape	9x50cm	1
5	Adhesive Utility Drape	50x60cm	4
6	Laparotomy Drape	230x320cm	1



GENERAL

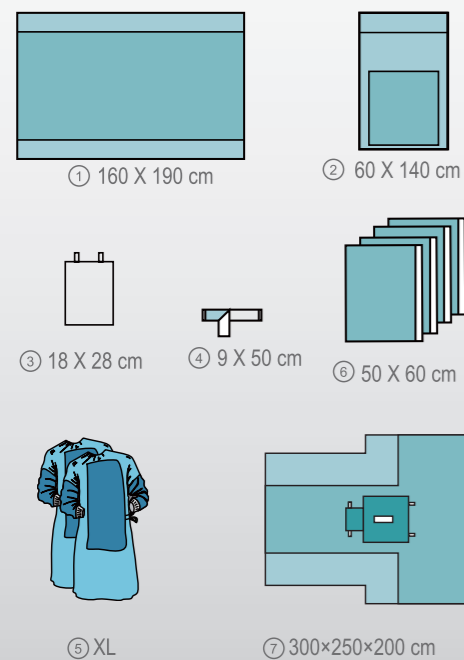
SURGERY PACKS

Laparoscopy Pack 1

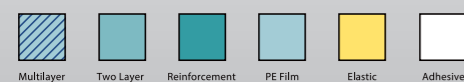


No.	Product Name	Size	Quantity
1	Back Table Cover	190×160cm	1
2	Mayo Stand Cover	140×60cm	1
3	Suture Bag	18x28cm	1
4	Op-Tape	50×9cm	1
5	Adhesive Utility Drape	50×60cm	4
6	Laparoscopy Drape with Hook-loop Line Holders	198×259cm	1

Laparoscopy Pack 2



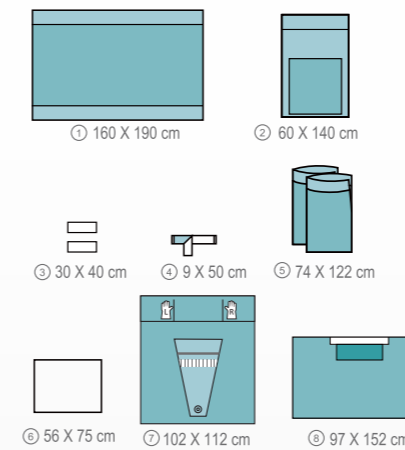
No.	Product Name	Size	Quantity
1	Back Table Cover	190×160cm	1
2	Mayo Stand Cover	140×60cm	1
3	Suture Bag	18x28cm	1
4	Op-Tape	50×9cm	1
5	Reinforced Gown		2
6	Adhesive Utility Drape	50×60cm	4
7	Laparoscopy Drape with Hook-loop Line Holders	198×259cm	1



UROLOGY

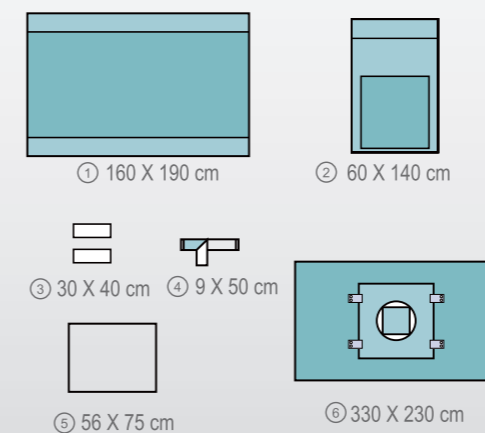
& GYNECOLOGY PACKS

Obstetrical Pack

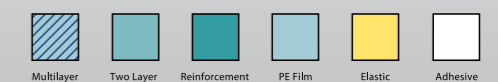


No.	Product Name	Size	Quantity
1	Back Table Cover	190×160cm	1
2	Mayo Stand Cover	140×60cm	1
3	Towel	40×30cm	2
4	Op-Tape	50×9cm	1
5	Legging	74x122cm	2
6	Baby Blanket	56x75cm	1
7	Under Buttocks Drape	102x112cm	1
8	Adhesive Abdominal Drape	97x152cm	1

Cesarean Pack 1



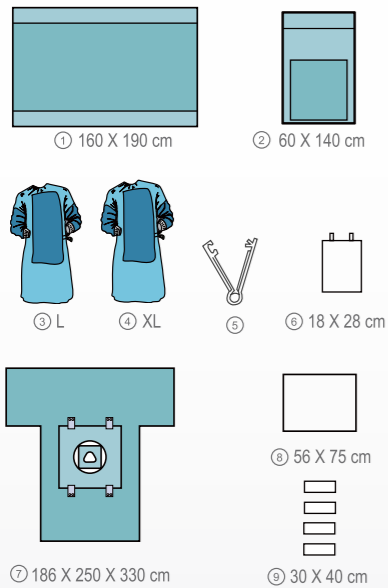
No.	Product Name	Size	Quantity
1	Back Table Cover	160×190cm	1
2	Mayo Stand Cover	60×140cm	1
3	Towel	30x40cm	2
4	Op-Tape	9x50cm	1
5	Baby Blanket	56x75cm	1v
6	Cesarean Drape 1	330x230cm	1



UROLOGY

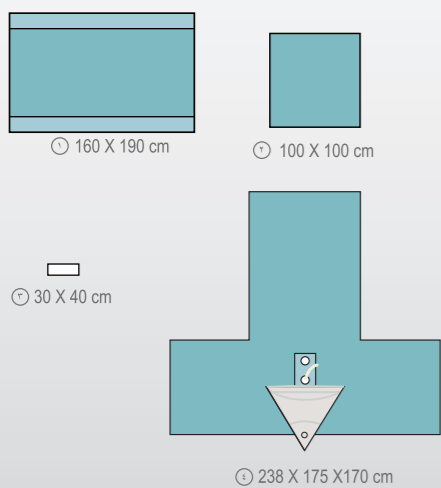
& GYNECOLOGY PACKS

Cesarean Pack 2

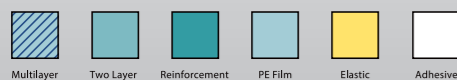


No.	Product Name	Size	Quantity
1	Back Table Cover	190×160cm	1
2	Mayo Stand Cover	140×60cm	1
3	Reinforced Gown	L	1
4	Reinforced Gown	XL	1
5	Clamp		1
6	Suture Bag	L	1
7	Cesarean Drape II	330×250×186cm	1
8	Baby Blanket	75×56cm	1
9	Towel	40×30cm	4

T.U.R Pack



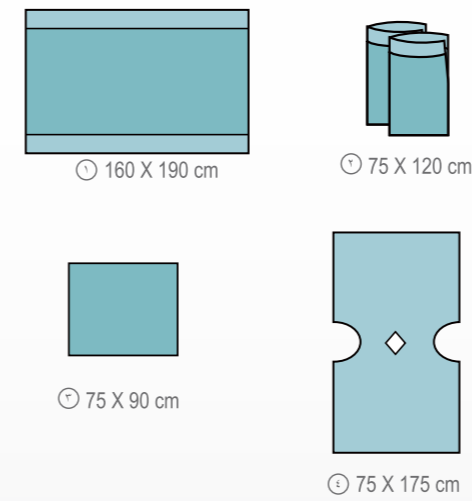
No.	Product Name	Size	Quantity
1	Back Table Cover	190×160cm	1
2	Sterilization Wrap	100×100cm	1
3	Towel	40×30cm	1
4	T.U.R Drape	170×175×238cm	1



UROLOGY

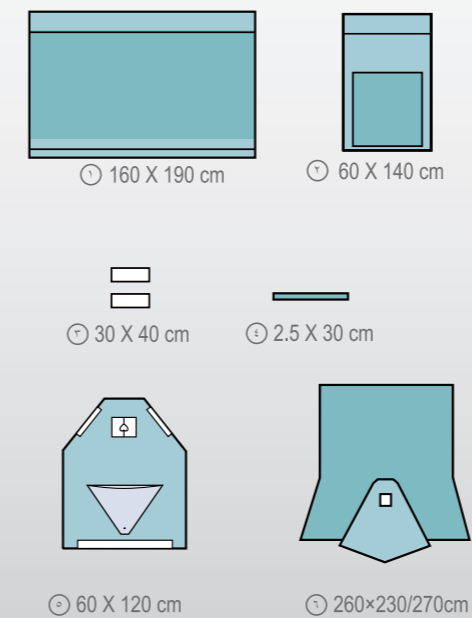
& GYNECOLOGY PACKS

Cystoscopy Pack

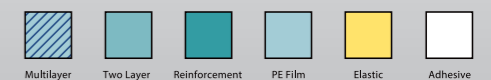


No.	Product Name	Size	Quantity
1	Back Table Cover	190×160cm	1
2	Legging	140×60cm	2
3	Utility Drape	40×30cm	1
4	Cystoscopy Drape	50×9cm	1

Gynaecology Pack 1



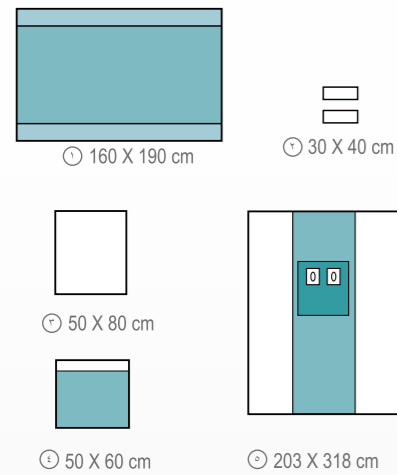
No.	Product Name	Size	Quantity
1	Back Table Cover	160×190cm	1
2	Mayo Stand Cover	60×140cm	1
3	Towel	30×40cm	2
4	Tube Holder	30×2.5cm	1
5	Gynaecology Drape with Fluid Collection Pouch	120×60cm	1
6	Gynaecology Drape	260×230/270cm	1



CARDIOVASCULAR

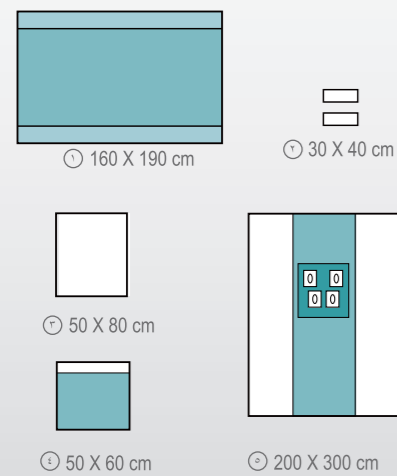
PACKS

Angiography Pack 1

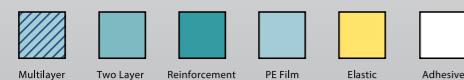


No.	Product Name	Size	Quantity
1	Back Table Cover	190×160cm	1
2	Towel	40×30cm	2
3	Absorbent Sheet	80×50cm	1
4	Adhesive Drape	60×50cm	1
5	Angiography Drape I	318×203cm	1

Angiography Pack 2



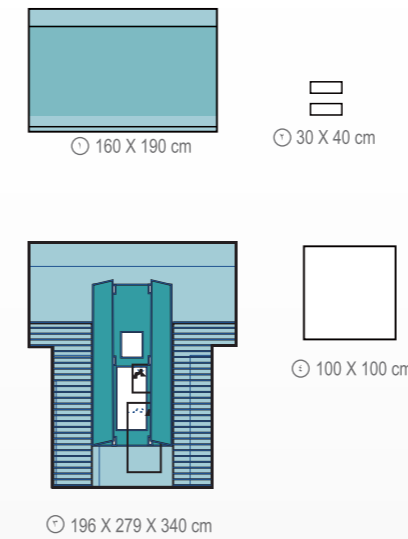
No.	Product Name	Size	Quantity
1	Back Table Cover	190×160cm	1
2	Towel	40×30cm	2
3	Absorbent Sheet	80×50cm	1
4	Adhesive Drape	60×50cm	1
5	Angiography Drape 2	300×200cm	1



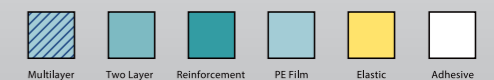
CARDIOVASCULAR

PACKS

Cardiovascular Pack



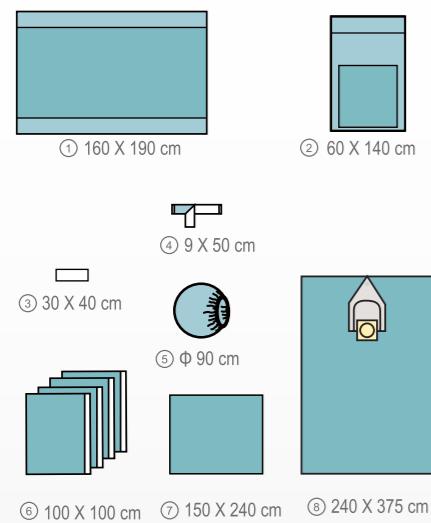
No.	Product Name	Size	Quantity
1	Back Table Cover	190×160cm	1
2	Towel	40×30cm	2
3	Cardiovascular Pack	340×279×196cm	1
4	SMS Wrap	100×100cm	1



NEUROSURGERY

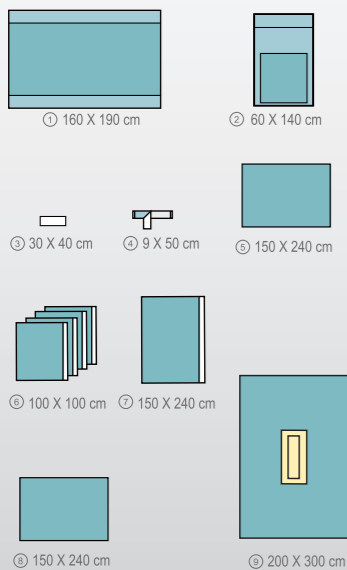
PACKS

Craniotomy Pack

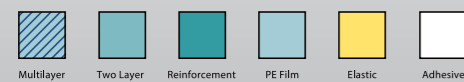


No.	Product Name	Size	Quantity
1	Back Table Cover	190×160cm	1
2	Mayo Stand Cover	140×60cm	2
3	Towel	40×30cm	1
4	Op-Tape	50×9cm	1
5	Banded Bag	Φ 90cm	1
6	Adhesive Drape	100×100cm	
7	Utility Drape	240×150 cm	
8	Craniotomy Drape with Pouch	375×240 cm	

Spinal Pack



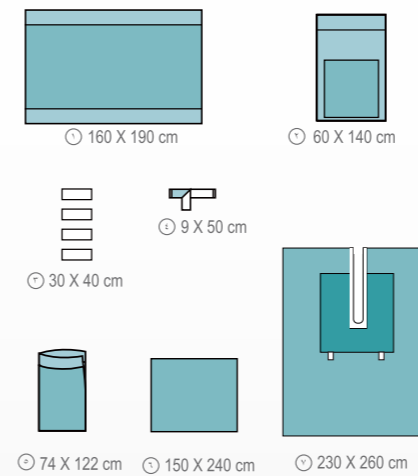
No.	Product Name	Size	Quantity
1	Back Table Cover	190×160cm	1
2	Mayo Stand Cover	140×60cm	1
3	Towel	40×30cm	1
4	Op-Tape	50×9cm	1
5	Utility Drape	240×150 cm	1
6	Adhesive Drape	100×100cm	4
7	Adhesive Drape	240×150cm	1
8	Plain Drape	240×150cm	1
9	Shunt Drape	300×200cm	1



ORTHOPEDICS

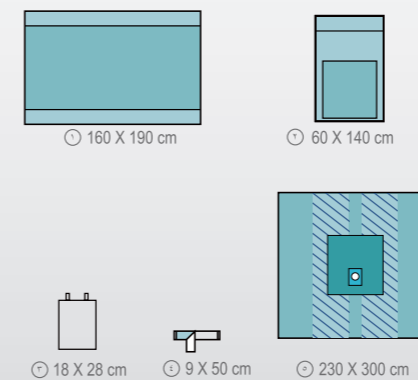
PACKS

General Orthopedic Pack

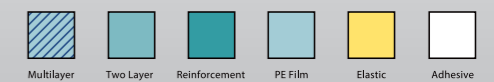


No.	Product Name	Size	Quantity
1	Back Table Cover	190×160cm	1
2	Mayo Stand Cover	140×60cm	1
3	Towel	40×30cm	4
4	Op-Tape	50×9cm	1
5	Legging	122×74cm	1
6	Adhesive Drape	240×150cm	1
7	Adhesive Split U Drape	260×230cm	1

Hand & Foot Pack



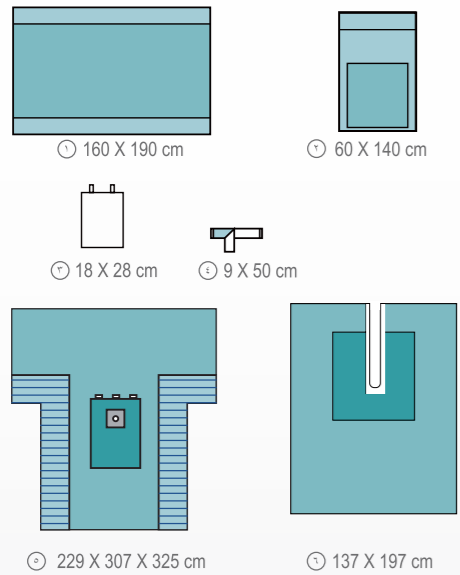
No.	Product Name	Size	Quantity
1	Back Table Cover	190×160cm	1
2	Mayo Stand Cover	140×60cm	1
3	Suture Bag	28×18cm	1
4	Op-Tape	50×9cm	1
5	Hand & Foot Drape	300×230cm	1



ORTHOPEDICS

PACKS

Extremity Pack

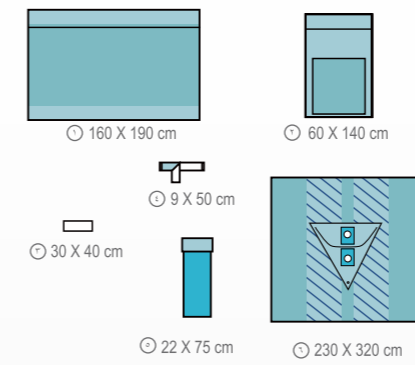


No.	Product Name	Size	Quantity
1	Back Table Cover	190×160cm	1
2	Mayo Stand Cover	140×60cm	1
3	Suture Bag	28×18cm	1
4	Op-Tape	50×9cm	1
5	Extremity Drape	307×229×325cm	1
6	U-Drape	197×137cm	1

ARTHROSCOPY

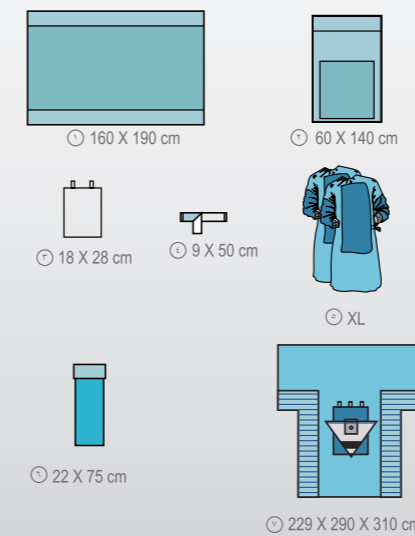
PACKS

Arthroscopy Pack I

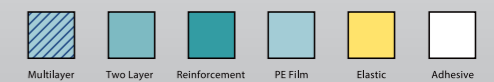
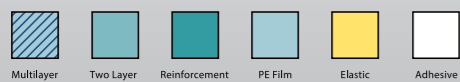


No.	Product Name	Size	Quantity
1	Back Table Cover	190×160cm	1
2	Mayo Stand Cover	140×60cm	1
3	Towel	40×30cm	1
4	Op-Tape	50×9cm	1
5	Stockinette	75×22cm	1
6	Arthroscopy Drape	320×230cm	1

Arthroscopy Pack II



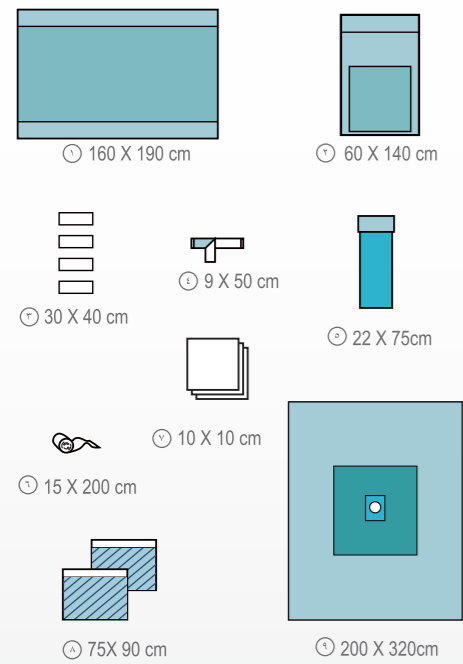
No.	Product Name	Size	Quantity
1	Back Table Cover	190×160cm	1
2	Mayo Stand Cover	140×60cm	1
3	Suture Bag	28×18cm	1
4	Op-Tape	50×9cm	1
5	Reinforced Gown	XL	2
6	Stockinette	75×22cm	1
7	Arthroscopy Drape	310×290×229cm	1



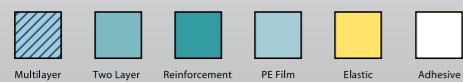
ARTHROSCOPY

PACKS

Shoulder Pack



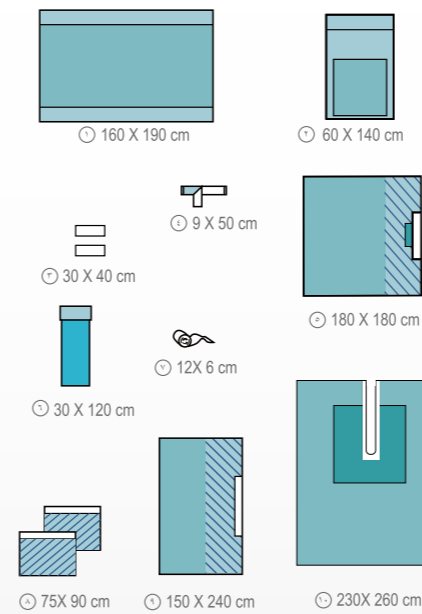
No.	Product Name	Size	Quantity
1	Back Table Cover	190×160cm	1
2	Mayo Stand Cover	140×60cm	1
3	Towel	40×30cm	4
4	Op-Tape	50×9cm	1
5	Stockinette	75×22cm	1
6	Elastic Bandage	200×15cm	1
7	Gauze	10×10cm	10
8	Adhesive Drape	90×75cm	2
9	Shoulder Drape	320×200cm	1



HIP

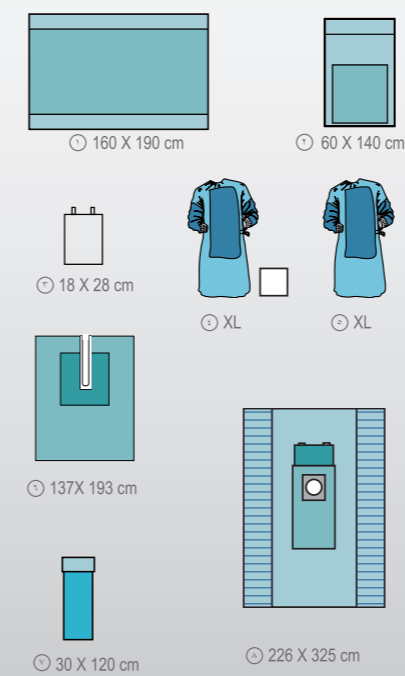
PACKS

Hip Pack I

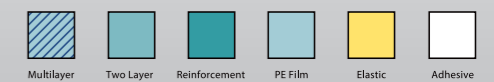


No.	Product Name	Size	Quantity
1	Back Table Cover	190×160cm	1
2	Mayo Stand Cover	140×60cm	1
3	Towel	40×30cm	2
4	Op-Tape	50×9cm	1
5	Adhesive Drape	180×180cm	1
6	Elastic Stockinette	120×30cm	1
7	Elastic Bandage	6×12cm	1
8	Adhesive Drape	90×75cm	2
9	Adhesive Drape	240×150cm	1
10	Adhesive Split U Drape	260×230cm	1

Hip Pack II

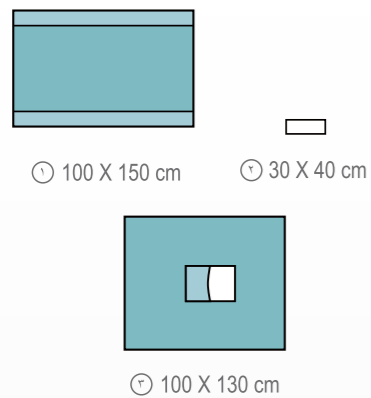


No.	Product Name	Size	Quantity
1	Back Table Cover	190×160cm	1
2	Mayo Stand Cover	140×60cm	1
3	Suture Bag	28×18cm	1
4	Reinforced Gown	XL	1
5	Reinforced Gown with Towel & Wrap	XL	1
6	Adhesive Split U Drape	193×137cm	1
7	Elastic Stockinette	120×30cm	1
8	Hip Drape	325×226cm	1



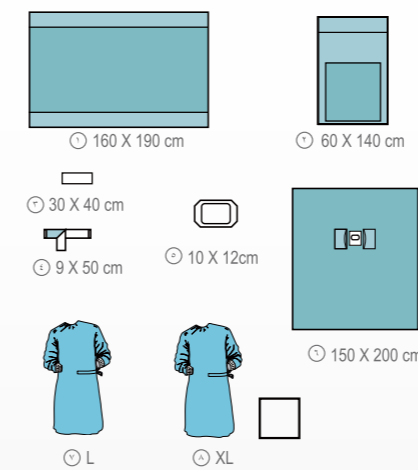
OPHTHALMIC PACKS

Ophthalmic Pack I



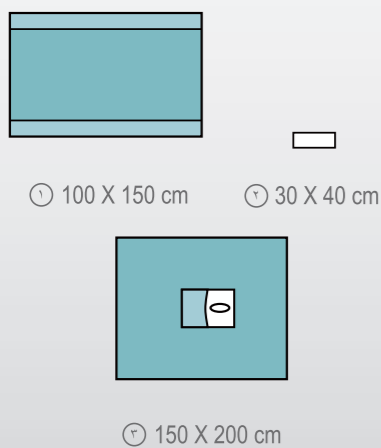
No.	Product Name	Size	Quantity
1	Back Table Cover	150×100cm	1
2	Towel	40×30cm	1
3	Ophthalmic Drape with One Pouch I	130×100cm	1

Ophthalmic Pack III



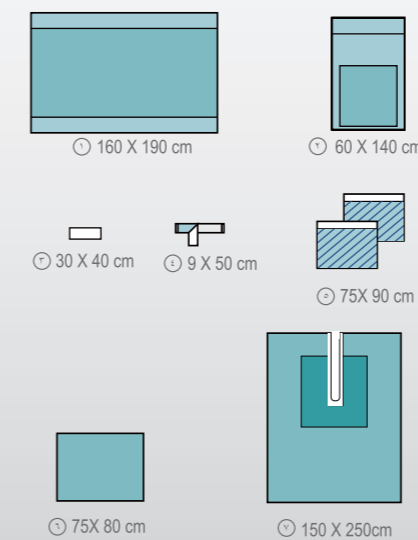
No.	Product Name	Size	Quantity
1	Back Table Cover	190×160cm	1
2	Mayo Stand Cover	140×60cm	1
3	Towel	40×30cm	1
4	Op-Tape	50×9cm	1
5	Incision Film	12×10cm	1
6	Ophthalmic Drape with Two Pouches III	200×150cm	1
7	Standard Gown	L	1
8	Standard Gown with Towel & Wrap	XL	1

Ophthalmic Pack II

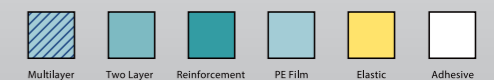
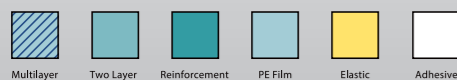


No.	Product Name	Size	Quantity
1	Back Table Cover	150×100cm	1
2	Towel	40×30cm	1
3	Ophthalmic Drape with One Pouch II	200×150cm	1

E.N.T Pack

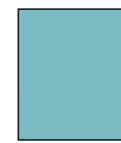


No.	Product Name	Size	Quantity
1	Back Table Cover	190×160cm	1
2	Mayo Stand Cover	140×60cm	1
3	Towel	40×30cm	1
4	Op-Tape	50×9cm	1
5	Adhesive Drape	90×75cm	2
6	Utility Drape	80×75cm	1
7	Adhesive Split Drape	250×150cm	1



GENERAL

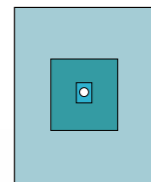
DRAPES



75x90cm

Utility Drape

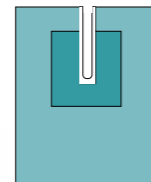
Code: 10391



60x140 cm

Fenestration Drape

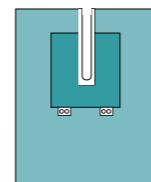
Code: 10392



80x145cm

Split Drape

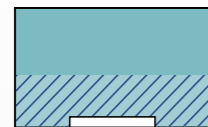
Code: 10393



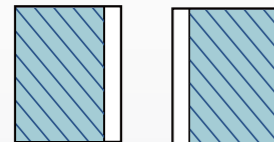
80x145cm

Split Drape with
Hook-loop Line Holders

Code: 10394



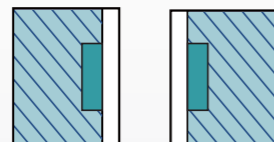
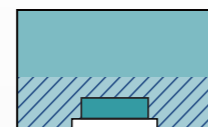
150X240cm



75x90cm

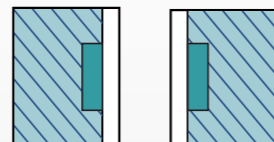
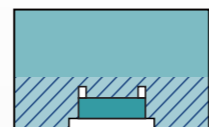
Universal Drape

Code: 10395



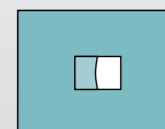
Universal Drape
with Reinforced

Code: 10396



Universal Drape with
Hook-loop Line Holders

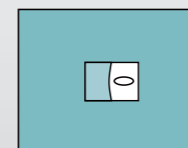
Code: 10397



100x150cm

Ophthalmic Drape I

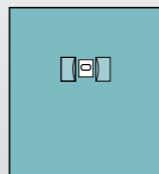
Code: 10398



150x200cm

Ophthalmic Drape II

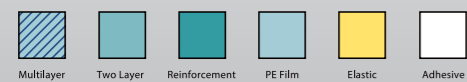
Code: 10399



150x200cm

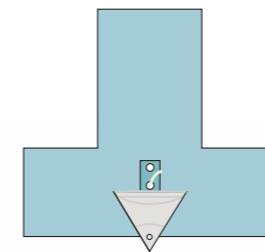
Ophthalmic Drape III

Code: 10400



SPECIAL

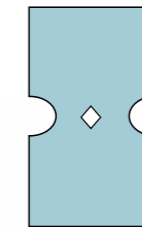
DRAPES



238 X 175 X170 cm

T.U.R Drape

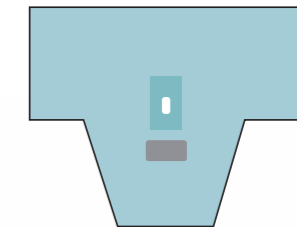
Code: 10401



75 X 175 cm

Cystoscopy Drape I

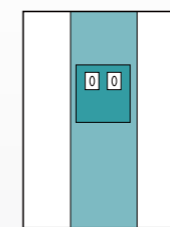
Code: 10402



254X 76 X 221 cm

Cystoscopy Drape II

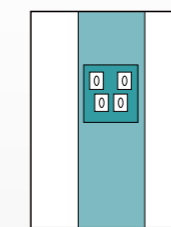
Code: 10403



203 X 318 cm

Angiography drape I

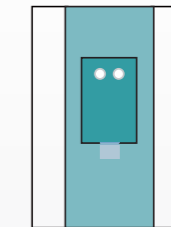
Code: 10404



200 X 300 cm

Angiography drape II

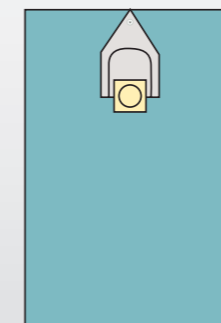
Code: 10405



195 X 280 cm

Angiography drape III

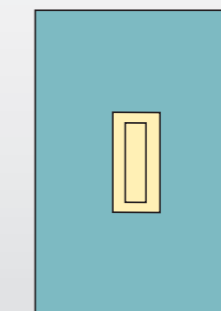
Code: 10406



240 X 375 cm

Craniotomy Drape

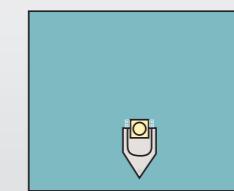
Code: 10407



200 X 300 cm

Spinal Drape

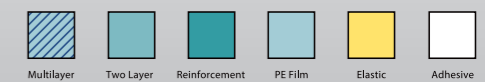
Code: 10408



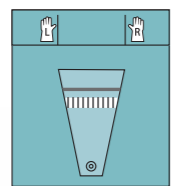
254x240cm

Neurological Drape

Code: 10409

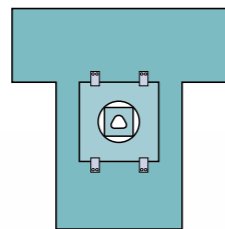


SPECIAL DRAPES



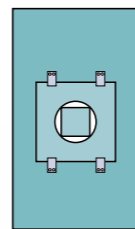
102 X 112 cm

Obstetrical Drape
Code: 10410



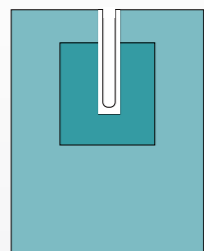
186 X 250 X 330 cm

Cesarean Drape I
Code: 10411



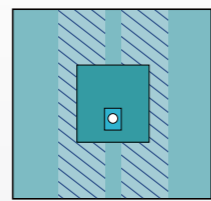
330 X 230 cm

Cesarean Drape II
Code: 10412



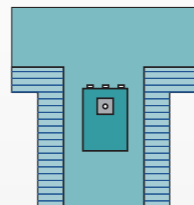
230 X 260 cm

Orthopedic U Drape
Code: 10413



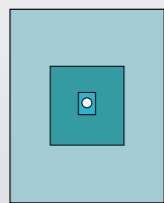
230 X 300 cm

Hand & Foot Drape
Code: 10414



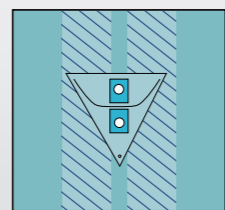
229 X 307 X 325 cm

Extremity Drape
Code: 10415



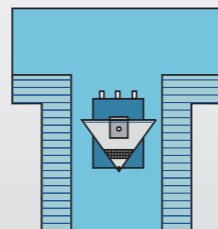
22 X 75cm

Shoulder Drape
Code: 10416



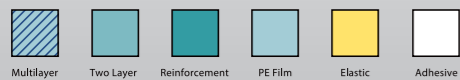
230 X 320 cm

Arthroscopy Drape I
Code: 10417



229 X 290 X 310 cm

Arthroscopy Drape II
Code: 10418

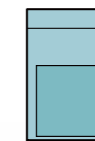


OTHER COMPONENTS



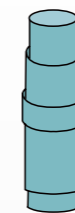
160x190 cm

Back Table Cover
Code: 10419



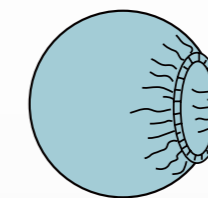
60x140 cm

Mayo Stand Cover
Code: 10420



8 X 120 cm

Tube Cover
Code: 10421



Φ 90 cm

Banded Bag
Code: 10422



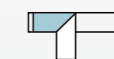
75 X 120 cm

Baby Blanket
Code: 10423



30 X 40 cm

Hand Towel
Code: 10424



9 X 50 cm

Op-Tape
Code: 10425



74 X 122 cm

Legging
Code: 10426



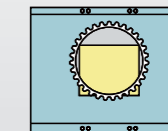
62 X 50 cm

Fluid Collection Pouch
Code: 10427



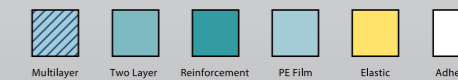
32 X 120 cm

Elastic Stockinette
Code: 10428



100 X 80 cm

Incise Pouch
Code: 10429



SURGICAL GOWNS

Comfort & Protection

Medplus Surgical Gown provides you a unique balance of comfort, value and protection. We considered the variety of procedures you work everyday and ever-changing conditions associated with them.



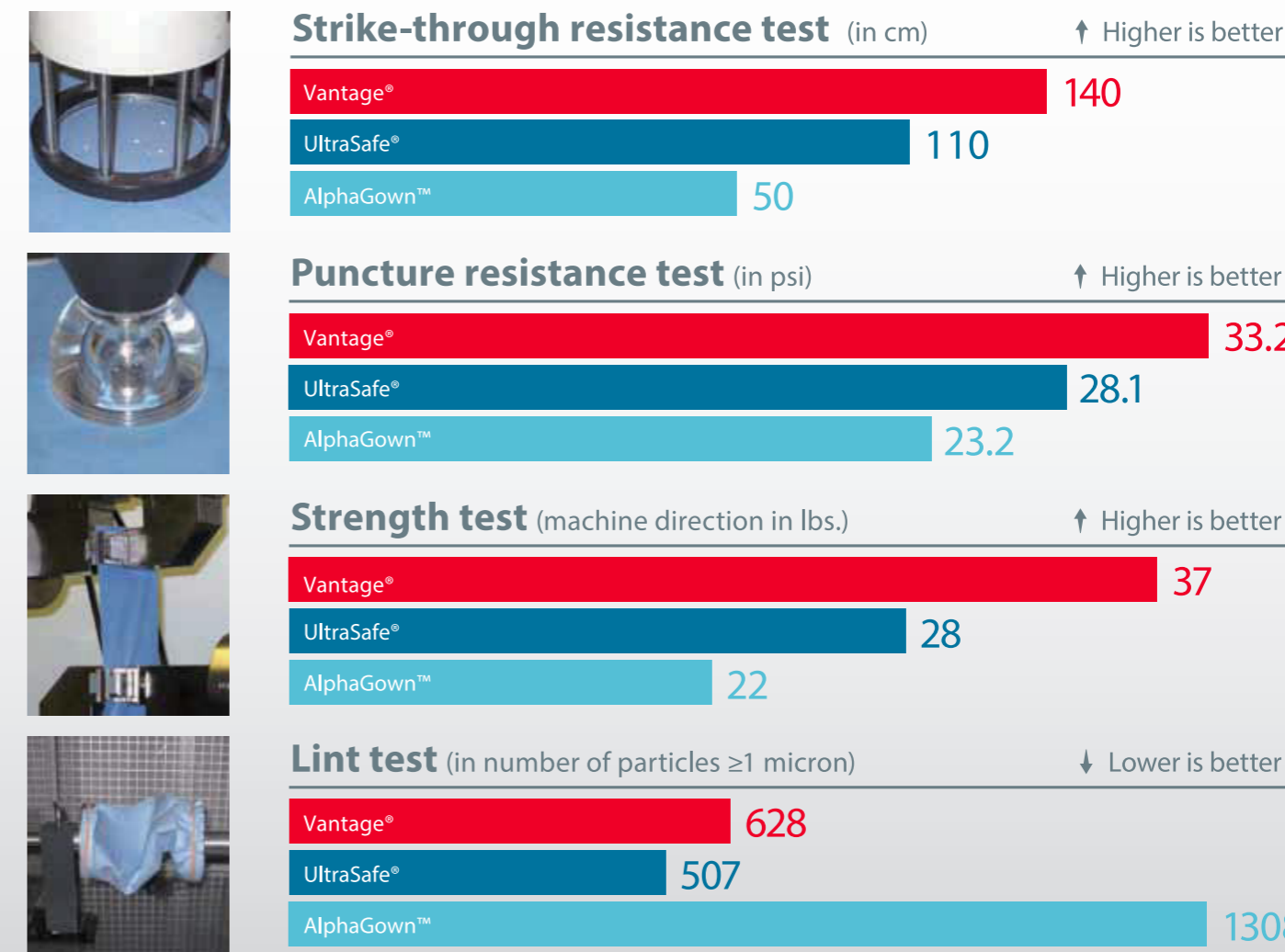
AlphaGown™
Standard gown made of fluid-repellent nonwoven fabric with micro-fiber middle layer. High resistance to Fluids and Bacteria penetration, Abrasion-Resistant and low-linting.

UltraSafe®
Reinforced gown giving you maximum protection. Made from 5 layers Polypropylene materials with Anti-static and Fluid Resistance.

Vantage®
High Performance Surgical Gown with increased breathability and comfort. Made from 5 layers Polypropylene materials with Alcohol, Blood, Anti-static and Fluid Resistance.

What will you be wearing?

It's important to choose the right gown for the right procedure. Clinicians and surgeons should begin the surgical gown selection process by considering the following test.



SURGICAL

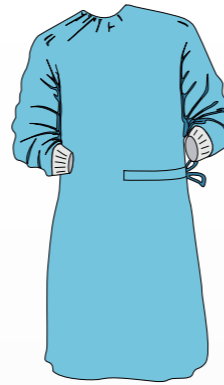
GOWNS

AlphaGown



SMMMS Standard Surgical Gown

- SMMMS Fabric
- Fluid Repellent
- Abrasion-Resistant
- Low-Linting
- Aseptic Folding
- Ultrasonic Welding
- Knitted Cuff
- Latex Free



Code	Product Name	Specification	Packaging
SGSM01-45	Standard Gown	45gsm, Non-Sterile	5pcs/polybag, 40pcs/case
SGSM01-50	Standard Gown	50gsm, Non-Sterile	5pcs/polybag, 40pcs/case
SGSM11-45	Standard Gown	45gsm, Sterile	1pc/sterile pouch, 25pcs/case
SGSM50-11	Standard Gown	50gsm, Sterile	1pc/sterile pouch, 25pcs/case

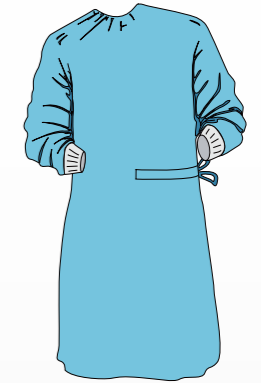
Note: Sterile gowns could include towel and wrapper in the package.

AlphaGown



SMS Disposable Gown

- SMS Fabric
- Fluid Repellent
- Abrasion-Resistant
- Low-Linting
- Aseptic Folding
- Ultrasonic Welding
- Knitted Cuff
- Latex Free



Code	Product Name	Specificartion	Packaging
EGSM01-35	Disposable Gown	35gsm, Non-Sterile	5pcs/polybag, 40pcs/case
EGSM01-40	Disposable Gown	40gsm, Non-Sterile	5pcs/polybag, 40pcs/case
EGSM11-35	Disposable Gown	35gsm, Sterile	1pc/sterile pouch, 25pcs/case
EGSM40-11	Disposable Gown	40gsm, Sterile	1pc/sterile pouch, 25pcs/case

Note: Sterile gowns could include towel and wrapper in the package.

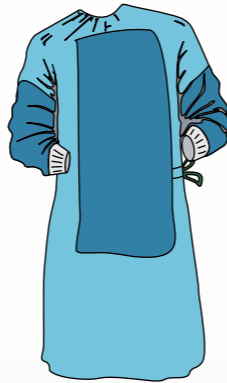
SURGICAL GOWNS

UltraSafe



SMMMS Poly-Reinforced Surgical Gown

- SMMMS Fabric
- Fluid Repellent
- Abrasion-Resistant
- Low-Linting
- Aseptic Folding
- Ultrasonic Welding
- Knitted Cuff
- Latex Free
- Plastic Film or Breathable Film Lamination Reinforced
- Half Reinforcement or Full Reinforcement



Code	Product Name	Specification	Packaging
PGSM01-35	Poly-Reinf. Gown	35gsm, Non-Sterile	5pcs/polybag, 40pcs/case
PGSM01-40	Poly-Reinf. Gown	40gsm, Non-Sterile	5pcs/polybag, 40pcs/case
PGSM01-45	Poly-Reinf. Gown	45gsm, Non-Sterile	5pcs/polybag, 40pcs/case
PGSM35-11	Poly-Reinf. Gown	35gsm, Sterile	1pc/sterile pouch, 25pcs/case
PGSM40-11	Poly-Reinf. Gown	40gsm, Sterile	1pc/sterile pouch, 25pcs/case
PGSM45-11	Poly-Reinf. Gown	45gsm, Sterile	1pc/sterile pouch, 25pcs/case

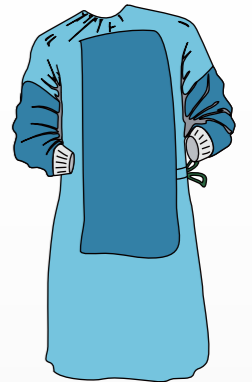
Note: Sterile gowns could include towel and wrapper in the package.

UltraSafe



SMMMS Fabric-Reinforced Surgical Gown

- SMMMS Fabric
- Fluid Repellent
- Abrasion-Resistant
- Low-Linting
- Aseptic Folding
- Ultrasonic Welding
- Knitted Cuff
- Latex Free
- Fabric-Reinforced
- Half Reinforcement or Full Reinforcement



Code	Product Name	Specification	Packaging
FGSM01-35	Fabric Reinf. Gown 35gsm, Non-Sterile	5pcs/polybag, 40pcs/case	5pcs/polybag, 40pcs/case
FGSM01-40	Fabric Reinf. Gown 40gsm, Non-Sterile	5pcs/polybag, 40pcs/case	5pcs/polybag, 40pcs/case
FGSM01-45	Fabric Reinf. Gown 45gsm, Non-Sterile	5pcs/polybag, 40pcs/case	5pcs/polybag, 40pcs/case
FGSM35-11	Fabric Reinf. Gown 35gsm, Sterile	1pc/sterile pouch, 25pcs/case	1pc/sterile pouch, 25pcs/case
FGSM40-11	Fabric Reinf. Gown 40gsm, Sterile	1pc/sterile pouch, 25pcs/case	1pc/sterile pouch, 25pcs/case
FGSM45-11	Fabric Reinf. Gown 45gsm, Sterile	1pc/sterile pouch, 25pcs/case	1pc/sterile pouch, 25pcs/case

Note: Sterile gowns could include towel and wrapper in the package.

SURGICAL GOWNS

Vantage



SMMMS Poly-Reinforced Surgical Gown

- SMMMS Fabric
- Fluid Repellent
- Abrasion-Resistant
- Alcohol Repellent: AR8-6/AR10-9
- Blood Repellent
- Anti-Static
- Low-Linting
- Aseptic Folding
- Ultrasonic Welding
- Knitted Cuff



Code	Product Name	Specification	Packaging
HSGSM01-35	Standard Gown	35gsm, Non-Sterile	5pcs/polybag, 40pcs/case
HSGSM01-40	Standard Gown	40gsm, Non-Sterile	5pcs/polybag, 40pcs/case
HSGSM01-45	Standard Gown	45gsm, Non-Sterile	5pcs/polybag, 40pcs/case
HSGSM50-01	Standard Gown	50gsm, Non-Sterile	5pcs/polybag, 40pcs/case
HSGSM35-11	Standard Gown	35gsm, Sterile	1pc/sterile pouch, 25pcs/case
HSGSM40-11	Standard Gown	40gsm, Sterile	1pc/sterile pouch, 25pcs/case
HSGSM45-11	Standard Gown	45gsm, Sterile	1pc/sterile pouch, 25pcs/case
HSGSM50-11	Standard Gown	50gsm, Sterile	1pc/sterile pouch, 25pcs/case

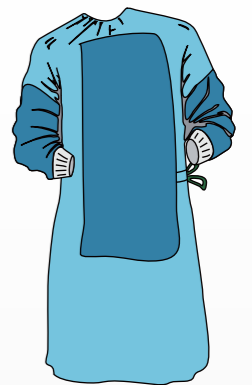
Note: Sterile gowns could include towel and wrapper in the package.

Vantage



High Performance Reinforced Surgical Gown

- SMMMS Fabric
- Fluid Repellent
- Abrasion-Resistant
- Alcohol Repellent: AR8-6/AR10-9
- Blood Repellent
- Anti-Static
- Low-Linting
- Aseptic Folding
- Ultrasonic Welding
- Knitted Cuff
- Latex Free
- PP+PE, SMS, Microporous Film Reinforcement
- Half Reinforcement or Full Reinforcement



Code	Product Name	Specification	Packaging
HRGSM01-35	Reinforced Gown	35gsm, Non-Sterile	5pcs/polybag, 40pcs/case
HRGSM01-40	Reinforced Gown	40gsm, Non-Sterile	5pcs/polybag, 40pcs/case
HRGSM01-45	Reinforced Gown	45gsm, Non-Sterile	5pcs/polybag, 40pcs/case
HRGSM50-01	Reinforced Gown	50gsm, Non-Sterile	5pcs/polybag, 40pcs/case
HRGSM35-11	Reinforced Gown	35gsm, Sterile	1pc/sterile pouch, 25pcs/case
HRGSM40-11	Reinforced Gown	40gsm, Sterile	1pc/sterile pouch, 25pcs/case
HRGSM45-11	Reinforced Gown	45gsm, Sterile	1pc/sterile pouch, 25pcs/case
HRGSM50-11	Reinforced Gown	50gsm, Sterile	1pc/sterile pouch, 25pcs/case

Note: Sterile gowns could include towel and wrapper in the package.

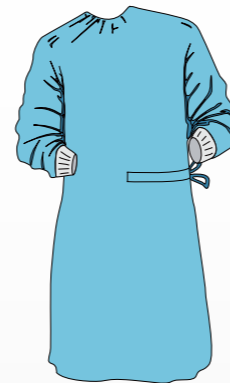
SURGICAL GOWNS

Softa



Spunlace Standard Surgical Gown

- DuPont SONTARA® Material
- Fluid Repellent
- Abrasion-Resistant
- Anti-Static
- Low-Linting
- Aseptic Folding
- Double stitches
- Knitted Cuff
- Latex Free



Code	Product Name	Specification	Packaging
SGSP02	Standard Gown	68gsm, Non-Sterile	5pcs/polybag, 40pcs/case
SGSP12	Standard Gown	68gsm, Sterile	1pc/sterile pouch, 25pcs/case

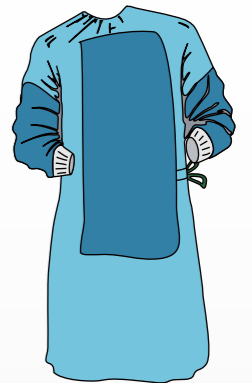
Note: Sterile gowns could include towel and wrapper in the package.

Softa



Spunlace Reinforced Surgical Gown

- DuPont SONTARA® Material
- Fluid Repellent
- Abrasion-Resistant
- Anti-Static
- Low-Linting
- Aseptic Folding
- Double stitches
- Knitted Cuff
- Latex Free
- PP+PE, Microporous Film Reinforcement
- Half Reinforcement or Full Reinforcement



Code	Product Name	Specification	Packaging
RGSP02	Reinforced Gown	68gsm, Non-Sterile	5pcs/polybag, 40pcs/case
RGSP12	Reinforced Gown	68gsm, Sterile	1pc/sterile pouch, 25pcs/case

Note: Sterile gowns could include towel and wrapper in the package.

PROTECTIVE APPARELS

Guide to Protective Materials

To eliminate confusion, here's a brief description of the main materials we use in the construction of Medplus protective apparel.

Spunbond Polypropylene

The standard fabric for basic protective apparel; formed by bonding fibers together to form a single layer of breathable, woven-like material. Its main advantages are economy and comfort, but it also provides light fluid protection.

Multi-Ply Material

A multi-ply material consisting of layers of meltblown polypropylene between layers of spunbond polypropylene. Strong, fluid-resistant and breathable, this multi-layer material provides an optimal mix of protection and comfort. Appropriate for extended wear situations involving low to moderate fluid contact.

Coated Polypropylene

Created when soft, spunbond polypropylene is coated with a layer of impervious polyethylene. This light weight material is ideal for any situation demanding a high level of fluid protection.

Breathable Laminate

Microporous film bonded to nonwoven material provides fluid-proof protection and great breathability. This material is ideal for extended wear conditions where fluid contact is expected.

Levels of Barrier Protection

The Medplus Isolation Gowns with color-coded neck bindings meet the test requirements set forth by Association for the Advancement of Medical Instrumentation (AAMI) PB70.

The chart below is set forth in the AAMI PB70 guidelines. The color-coding has been developed by Medplus to differentiate each level and corresponds with the color-coded neck bindings on the Medplus AAMI Compliant Isolation Gowns.

ANSI/AAMI PB70 Barrier Performance	Test Method	Test Definition	Requirement
Level 1	Water Resistance: Impact Penetration AATCC 42	AATCC 42 Measures the resistance of fabrics to the liquid penetration of water by impact.	Water Impact \leq 4.5 g
Level 2	Water Resistance: Impact Penetration AATCC 42 Water Resistance: Hydrostatic Pressure AATCC 127	AATCC 42 Measures the resistance of fabrics to the liquid penetration of water by impact. AATCC 127 Measures the resistance of fabrics to the liquid penetration of water by impact under constant and increasing hydrostatic pressure.	Spray Impact \leq 1.0 g Hydrostatic Pressure \geq 20 cm
Level 3	Water Resistance: Impact Penetration AATCC 42 Water Resistance: Hydrostatic Pressure AATCC 127	AATCC 42 Measures the resistance of fabrics to the liquid penetration of water by impact. AATCC 127 Measures the resistance of fabrics to the liquid penetration of water by impact under constant and increasing hydrostatic pressure.	Spray Impact \leq 1.0 g Hydrostatic Pressure \geq 50 cm
Level 4	Viral Penetration ASTM F1671	ASTM F1671 Measures the resistance of fabrics to bloodborne pathogens using viral penetration at 2psi and ambient pressure.	Total Impervious

PROTECTIVE APPARELS

AAMI Approved Gowns



Level 1 Protection

Breathable Polypropylene Maximizes Comfort in Medplus' Classic Isolation Gowns

Code	Product Name	Specification	Packaging
AAMG01	AAMI Gown	Light weight multiply material SMS 25gsm, Tape Tab neck, Elastic Wrist	10pcs/polybag, 100pcs/case



Level 2 Protection

Medplus' Classic Yellow Medium-Weight Multi-Ply Gowns are Breathable, Flexible and Strong Enough for the Toughest.

Code	Product Name	Specification	Packaging
AAMG02	AAMI Gown	Medium weight multiply material SMS30gsm, Tape Tab Neck, Elastic Wrist	10pcs/polybag, 100pcs/case

AAMI Approved Gowns



Level 3 Protection

Premium Comfortable and Breathable Multi-ply Gowns Provide High Protection.

Code	Product Name	Specification	Packaging
AAMG03	AAMI Gown	Microporous weight multiply material SMS43gsm, Tape Tab Neck, Elastic Wrist	10pcs/polybag, 100pcs/case



Level 4 Protection

Prevention Plus Isolation Gowns Offer Protection From the Heaviest Fluids.

Code	Product Name	Specification	Packaging
AAMG04	AAMI Gown	SMMMS 5ply material 50gsm, knitted cuff, Hook and loop neck closure.	10pcs/polybag, 100pcs/case

PROTECTIVE APPARELS

Isolation Gowns



Spunbonded Polypropylene Isolation Gown

- SPP Fabric
- Basic Coverage
- One Waist Belt
- Stitched Welding
- Elastic or Knitted Cuff
- Latex Free

Code	Product Name	Specification	Packaging
IGPP01-12	Isolation Gown	SPP12gsm	10pcs/polybag, 100pcs/case
IGPP16-02	Isolation Gown	SPP16gsm	10pcs/polybag, 100pcs/case
IGPP18-03	Isolation Gown	SPP18gsm	10pcs/polybag, 100pcs/case
IGPP20-04	Isolation Gown	SPP20gsm	10pcs/polybag, 100pcs/case
IGPP23-05	Isolation Gown	SPP23gsm	10pcs/polybag, 100pcs/case
IGPP28-06	Isolation Gown	SPP28gsm	10pcs/polybag, 100pcs/case

Note: All Medplus gowns are available in different colors and all are latex-free.

Isolation Gowns



SMS Cover Gown

- SMS Fabric
- Fluid Repellent
- One Waist Belt
- Stitched or Ultrasonic Welding
- Elastic or Knitted Cuff
- Latex Free

Code	Product Name	Specification	Packaging
IGSMS15-01	Isolation Gown	SMS15gsm	10pcs/polybag, 100pcs/case
IGSMS25-02	Isolation Gown	SMS25gsm	10pcs/polybag, 100pcs/case
IGSMS35-03	Isolation Gown	SMS35gsm	10pcs/polybag, 100pcs/case

Note: All Medplus gowns are available in different colors and all are latex-free.

PROTECTIVE APPARELS

Isolation Gowns



Impervious Isolation Gown

- PP+PE Lamination Fabric
- Fluid Repellent
- One Waist Belt
- Stitched Sewing
- Knitted Cuff
- Latex Free

Code	Product Name	Specification	Packaging
IGPP/PE01-35	Impervious Isolation Gown	PP+PE 35gsm	10pcs/polybag, 100pcs/case
IGPP/PE40-02	Impervious Isolation Gown	PP+PE 40gsm	10pcs/polybag, 100pcs/case

Note: All Medplus gowns are available in different colors and all are latex-free.

Isolation Gowns



Chemotherapy Gown

- Half PP+PE Lamination Fabric
- Fluid Repellent
- Breathable
- One Waist Belt
- Stitched Sewing or Ultrasonic Welding
- Knitted Cuff
- Latex Free

Code	Product Name	Specification	Packaging
CGPPE35-01	Chemotherapy Gown	Half lamination, PP+PE 35gsm	10pcs/polybag, 100pcs/case
CGPPE40-02	Chemotherapy Gown	Half lamination, PP+PE 40gsm	10pcs/polybag, 100pcs/case

Note: All Medplus gowns are available in different colors and all are latex-free.

PROTECTIVE APPARELS

Other Apparels



Scrub Suit

- SMMS Fabric
- Fluid Repellent
- Non-Transparent Complete Coverage
- Breathable
- V-Sharp or Round Shape Collar
- With Short Sleeve and Pockets
- Latex Free

Code	Product Name	Specification	Packaging
SBSMS01-35	Scrub Suit	SMS35gsm	5sets/polybag or 1set/polybag, 50sets/case
SBSMS40-02	Scrub Suit	SMS40gsm	5sets/polybag or 1set/polybag, 50sets/case

Note: All Medplus gowns are available in different colors and all are latex-free.

Other Apparels



Patient Gown

- SPP or SMS Fabric
- Non-Transparent Complete Coverage
- Breathable
- V-Sharp or Round Shape Collar
- Without Sleeve or Short Sleeve

Code	Product Name	Specification	Packaging
PGPP40-01	Patient Gown	SPP40gsm	10pcs/polybag, 100pcs/case
PGSMS35-01	Patient Gown	SMS35gsm	10pcs/polybag, 100pcs/case

Note: All Medplus gowns are available in different colors and all are latex-free.

PROTECTIVE APPARELS

Other Apparels



Lab Coat

- SPP or SMS Fabric
- Breathable
- With Button or Zipper
- With Knitted Cuff and Pockets
- Latex Free

Code	Product Name	Specification	Packaging
LCSP01-30	Lab Coat	SPP30gsm	5pcs/polybag, 50pcs/case
LCSP40-02	Lab Coat	SPP40gsm	5pcs/polybag, 50pcs/case
LCSMS35-01	Lab Coat	SMS35gsm	5pcs/polybag, 50pcs/case
LCSMS40-02	Lab Coat	SMS40gsm	5pcs/polybag, 50pcs/case

Note: All Medplus gowns are available in different colors and all are latex-free.

Headwears



Surgical Cap

Code SCPP01

- SPP Fabric
- Breathable
- With Tie-on or Elastic
- Latex Free



Mob Cap

Code MCPP01

- SPP Fabric
- Breathable
- With Elastic
- Latex Free



Bouffant Cap

Code BCPP01

- SPP Fabric
- Breathable
- With Tie or Elastic
- Latex Free

PROTECTIVE

APPARELS

Headwears



Surgical Face Mask

Code FMT01

- SPP Fabric with Inside Filter
- BFE %99.7
- PFE %98.5
- Fluid Resistant
- With 4 Strips
- Ultrasonic Welding
- Latex Free



Isolation Face Mask

Code FME01

- SPP Fabric with Inside Filter
- BFE %95
- Fluid Resistant
- Ultrasonic Welding
- Latex Free



Nuisance Dust Mask

Code FMD01

- SPP Fabric
- Fluid Resistant
- Shield the Dust
- Latex Free

Footwears



Non-skid Shoe Cover

Code NSCSPP01

- SPP or SMS Fabric
- With Non-skid Layer
- Fluid Resistant
- Low Particulate
- Abrasion Resistant
- Ultrasonic Welding
- Latex Free



Regular Shoe Cover

Code RSCSPP01

- SPP or SMS Fabric
- Fluid Resistant
- Low Particulate
- Abrasion Resistant
- Ultrasonic Welding
- Latex Free

PROTECTIVE APPARELS

Footweares



Lamination Shoe Cover

Code NSCPPE01

- Lamination Fabric
- With Fluid-proof Polyethylene Coating
- Low Particulate
- Abrasion Resistant
- Ultrasonic Welding
- Latex Free

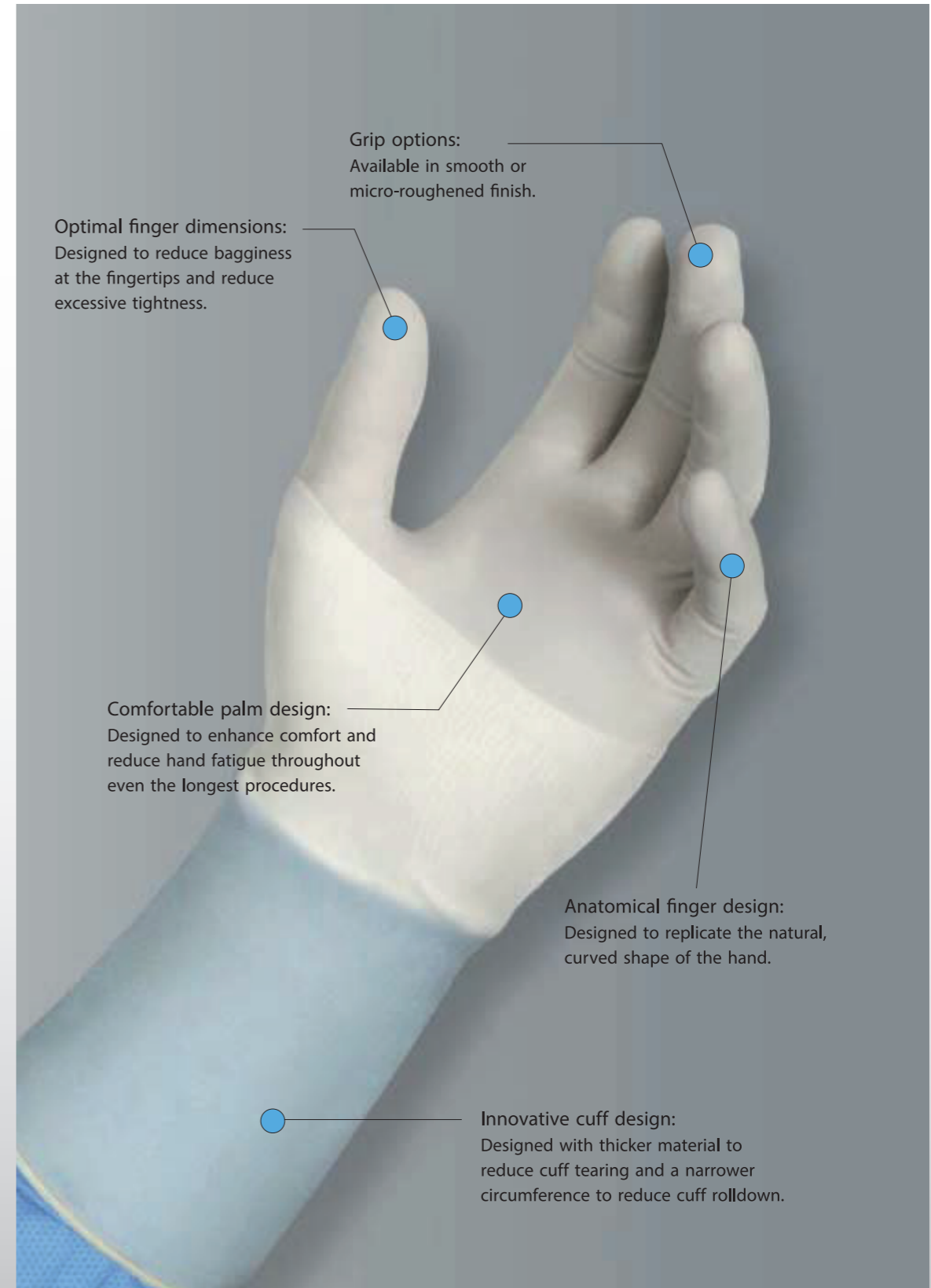


Plastic Shoe Cover

Code SCPE01

- Heavy weight Low-density Polyethylene Fabric
- Fluid Resistant
- Low Particulate
- Lint-free
- Ultrasonic Welding
- Latex Free

SURGICAL & EXAMINATION GLOVES



SURGICAL & EXAMINATION GLOVES

Surgical & Examination Gloves



Sterile Surgical Latex Gloves

Code SLG01

- Beaded Cuff
- Textured Fingers and Palm
- Low Allergenicity
- Powdered or Powder Free
- Size: 9 ,8.5 ,8 ,7.5 ,7 ,6.5 ,6



Exam Latex Gloves

Code ELG02

- Beaded Cuff
- Ambidextrous
- Smooth Surface
- Low Allergenicity
- Powdered or Powder Free
- Size: S, M, L, XL



Exam Nitrile Gloves

Code ENG01

- Beaded Cuff
- Blue
- Ambidextrous
- Textured Fingers and Palm
- Latex Free
- Powdered or Powder Free
- Size: S, M, L, XL

Surgical & Examination Gloves



Sterile Exam Latex Gloves

Code ELG01

- Beaded Cuff
- Textured Fingers and Palm
- Ambidextrous
- Low Allergenicity
- Powdered or Powder Free
- Size: S, M, L, XL



Exam Vinyl Gloves

Code EVG01

- Beaded Cuff
- Clear □□ Ambidextrous
- Smooth Surface
- Latex Free
- Powdered or Powder Free
- Size: S, M, L, XL



Exam Synthetic Gloves

Code ENG01

- Beaded Cuff
- Pretty Stretch
- White or Yellow
- Ambidextrous
- Smooth Surface
- Latex Free
- Powdered or Powder Free
- Size: S, M, L, XL

SURGICAL & EXAMINATION GLOVES

Examination Gloves & Plastic Items



Plastic Gloves

Code PG01

- Smooth or Embossed
- Clear/Blue
- Ambidextrous
- Latex Free
- Size: S, M, L, XL



Smart Gloves

Code SG01

- High Elasticity, Replacement of Vinyl Gloves
- Improved Temperature Performance in High Heat Resistance
- Clear
- Ambidextrous
- Latex Free
- Size: S, M, L, XL

Gowns



PE Gown

Code: PEG01

- Made by Polyethylene material
- Totally Resistance From fluid
- Thumb Loop Style
- Blue Color



PE Apron

Code: PAP01

- Made by %65LDPE and %35LLDPE
- Totally Resistance from Fluid
- Smooth or Embossed
- Clear or Blue Color

MINOR

PROCEDURE SETS



SmartSet® for minor procedures

EFFICIENCY AND VALUE

Single-use trays reduce the cost of in-house hospital assembly and reprocessing. Our trays were designed with the help of medical staff to streamline components and reduce waste. In addition, we maintain cost-efficient operations so that we can pass the savings on to our customer.

CONVENIENCE AND STANDARDIZATION

Instead of creating storage space for numerous items which are pulled again and again for similar procedures, a convenient sterile Minor Procedure Tray is a single item pulled from a single location. Components are packaged in sequence of use, allowing the clinician to progress efficiently through procedures. Custom options are also available for specialized needs; ask your representative for details.

MINOR

PROCEDURE SETS / TRAYS

Dressing sets



General Dressing Set

REF 2011

No.	Product Name	Quantity
1	Gauze Ball, diam 25mm	5
2	Gauze Swab, -4ply, 5X5 cm	2
3	Forcep, 127mm	1
4	Tray	1
5	Protection Cove, 40X40 cm	1



Dressing Change Set

REF2012

No.	Product Name	Quantity
1	Tray	1
2	Polylined Sterile Field Drape	1
3	Abdominal Pad	1
4	Safety Pin	1
5	Iodophor PVP Swabstick (Triples)	1
6	4" x 4" Gauze Sponges	4
7	Sharp/Blunt Scissors	1
8	Polybag with Twist Tie	1
9	Roll Medical Tape	1
10	Transfer Forceps	1
11	Plastic Forceps	1

PROCEDURE SETS / TRAYS



Central Line Set

REF 2013

No.	Product Name	Quantity
1	Tray	1
2	Face Mask	1
3	Latex Glove	2
4	Gauze 2x2"	1
5	Gauze 4x4"	1
6	Roll Medical Tape	1
7	Alcohol Swabsticks	3
8	Non-Woven Sponge	1

IV Start Sets



IV Start set II

REF 2015

No.	Product Name	Quantity
1	Gauze Ball, diam 25mm	1
2	Gauze Sponge	2
3	Transpore Tape	1
4	Tourniquet	1
5	Antimicrobial ChloraPrep Applicator 1.5ml	1
6	Tegaderm Dressing	1
7	Frepp Insert	1
8	Change Label	1

IV Start Sets



IV Start set I

REF 2014

No.	Product Name	Quantity
1	Tray	1
2	Gauze Sponge	2
3	Transpore Tape	1
4	Tourniquet	1
5	Alcohol Pad	1
6	Bioclusive Dressing	1
7	PVP Pad	1
8	Change Label	1



IV Start set III

REF 2016

No.	Product Name	Quantity
1	Tray	1
2	Gauze Sponge	2
3	Transpore Tape	1
4	Tourniquet	1
5	Antimicrobial ChloraPrep Ampule (0.67ml)	1
6	Tegaderm Dressing	1
7	Frepp Insert	1
8	Change Label	1

MINOR

PROCEDURE SETS / TRAYS



IV Start set III

REF 2017

No.	Product Name	Quantity
1	Tray	1
2	Gauze Sponge	2
3	Transpore Tape	1
4	Tourniquet	1
5	Frepp Insert	1
6	Bioclusive Dressing	1
7	Antimicrobial ChloraPrep Applicator 1.5ml	1
8	Change Label	1

Minor Laceration Sets



Minor Laceration Set I

REF 2018

No.	Product Name	Quantity
1	Tray	1
2	Needle Holder	1
3	Scissor	3
4	Metal Forceps	2
5	Poly-Lined Drape	1
6	Gauze Sponge	1
7	Absorbent Towel	4
8	Fenestrated Drape	1

Minor Laceration Sets



Minor Laceration Set II

REF 2019

No.	Product Name	Quantity
1Tray 1	Gauze Ball, diam 25mm	1
2	Webster Needle Holder	2
3	Needle	1
4	Medicine Cups	2
5	Straight Iris Scissors	1
6	Curved Mosquito Hemostat	1
7	Blue Linen or Towel	2
8	Adson Dressing Forceps	1
9	10cc Syringe	1
10	Gauze Sponges, 12,"4 × "4ply	10
11	Gauze Sponges, 12,"2 × "2ply	5
12	Fenestrated OR Towel	1

PROCEDURE SETS / TRAYS



E.R. Laceration Set

REF 2020

No.	Product Name	Quantity
1	Tray	1
2	Webster Needle Holder	2
3	Traight Iris Scissors	1
4	Mosquito Hemostat	2
5	Adson Tissue Forceps	1
6	Medicine Cups	1
7	10cc Luer Lock Syringe	2
8	25g X 8/5" Needle	1
9	27g X 2/1-1" Needle	1
10	18g X 2/1-1" Needle	1
11	2" X 2" Gauze Sponges	5
12	4" X 4" Gauze Sponges	10
13	Polylined, Fenestrated Drape	1
14	Absorbent Towels	2
15	CSR Wrap	1
16	10 Universal Medication	

Suture Removal Sets



Suture Removal Set I

REF 2021

No.	Product Name	Quantity
1	Iodophor PVP Prep Pad	1
2	Iris Suture Scissors	1
3	Adson Serrated Forceps	1
4	3" x 5" Gauze Sponge	1
5	Large Alcohol Prep Pad	1



Suture Removal Set II

REF 2022

No.	Product Name	Quantity
1	Tray	1
2	CSR Overwrap	1
3	Needle Holder	1
4	Straight Iris Scissors	1
5	Adson Tissue Forceps	1
6	Medicine Cups	2
7	4" x 4" Gauze Sponges	8
8	2" x 2" Gauze Sponges	5
9	Polylined Fenestrated Drape	1
10	Absorbent Towel	1



Skin Staple Remover Set

REF 2023

No.	Product Name	Quantity
1	Tray	1
2	Staple Remover (Metal)	1
3	Gauze Pad	1

Minor Surgery Sets



Gynecological Set

REF 2025

No.	Product Name	Quantity
1	Vaginal Speculum	1
2	Pair of Gloves	1
3	Tray Wrap	1
4	Cervical Brush	1
5	Vaginal Scrape	1
6	Sample Collection Blade	1

Minor Surgery Sets



Catheterization Set

REF 2024

No.	Product Name	Quantity
1	Gauze Ball	2
2	Gauze Swab	4
3	Forceps	1
4	Pair of Gloves	1
5	Tray	1
6	Split Sheet	1
7	Tray Wrap	1

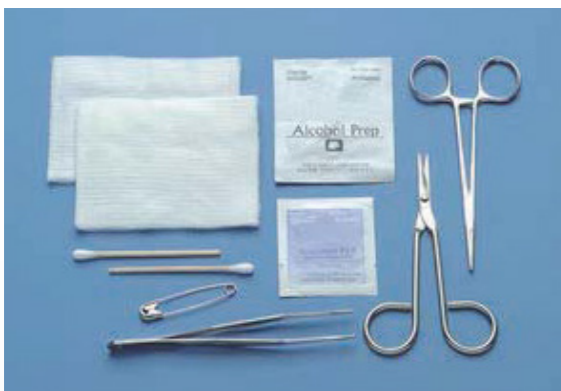


Shave Prep Set

REF 2026

No.	Product Name	Quantity
1	Tray	1
2	Soap Sponge	1
3	Absorbent Towel	1
4	Double Sided Safety Razor	1
5	Cotton Tipped Applicator	2
6	Drape	4
7	Towel	1

PROCEDURE SETS / TRAYS



General Purpose Set

REF 2027

No.	Product Name	Quantity
1	Tray	1
2	Kelly Forceps, Straight	1
3	Dressing Forceps	1
4	Gauze Sponge 2x2	1
5	Gauze Sponge 4x4	1
6	Scissor	1
7	Drape	1



Wound Closure Set

REF 2028

No.	Product Name	Quantity
1	Gauze Ball	1
2	PVP Swabsticks	1
3	Scissor	1
4	Alcohol Swabsticks	1
5	Tissue Forceps	1
6	Refuse Bag	1
7	Gauze Sponge	4
8	Absorbent Towel	1
9	Fenestrated Drape	1

Minor Surgery Sets



Tracheostomy Care Set I

REF 2029

No.	Product Name	Quantity
1	Tray, -3Compartment	1
2	Trach Brush	1
3	Pipe Cleaner	3
4	Gauze Sponge, Split	4
5	Cotton Tipped Applicator	2
6	Pair of Gloves	1
7	Tray Wrap	1
8	Hydrogen Peroxide	2



Tracheostomy Care Set II

REF 2030

No.	Product Name	Quantity
1	Tray, -3Compartment	1
2	Pair Gloves	1
3	Pre-Cut Gauze Tracheostomy Dressing	1
4	Polylined Towel/Drape	1
5	4" X 4" Gauze Sponges	4
6	Pipe Cleaners	2
7	Cotton-Tipped Applicators	3
8	Flexible, Nylon Bristle Brush	1
9	30" Twill Tape	1
10	Foam Neck Pad	1
11	100 MI Container Sterile Saline Solution	1
12	1 Oz. Packets Hydrogen Peroxide	2

PROCEDURE SETS / TRAYS

Custom Sets



C-Section Set

REF 2031

No.	Product Name	Quantity
1	Tray	1
2	Bulb Syringe	1
3	Gloves	1
4	Plastic Tube w/Cap	1
5	Connector Tubing w/Bulb Tip	1
6	Foam Needle Counter	1
7	Large Gown	1
8	Maternity Pad	1
9	ABD Pad	1
10	Mayo Stand Cover	1
11	Lap Sponges, 18x18	10
12	Poly Wrap, 24x24	1
13	Table Cover, 78x44	1
14	Drape w/Pouch	1
15	Prep Kit	1
16	Header Bag, 30x17	1

Custom Sets

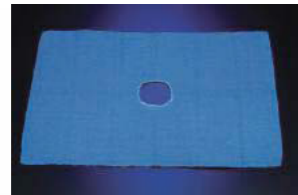


Labor and Delivery Tray

REF 2032

No.	Product Name	Quantity
1	Tray, -3Compartment	1
2	Needle	1
3	10cc Control Syringe	1
4	Bulb Syringe	1
5	Cord Clamp	1
6	Header Clamp	1
7	Utility Bowel w/Lid	1
8	Plastic Tube w/Cap	1
9	Vaginal Packing	1
10	Underbuttocks Drape w/Pouch	1
11	Drape,58x43	1
12	Table Cover, 76x44	1
13	Gauze Sponges, -12,"4x"4ply	10
14	Maternity Pad	1

Miscellaneous Sterile Components



Fenestrated Towel
Code: 20321



Blue Towel
Code: 20322



OR Towel
Code: 20323



Gauze Swab
Code: 20333



Syringe
Code: 20334



Safety Pin
Code: 20335



Elastic Bandage
Code: 20324



Esmark Bandage
Code: 20325



Speculum
Code: 20326



Bowl
Code: 20336



Medicine Cup
Code: 20337



Plastic Forcep
Code: 20338



Rayon Swab
Code: 20327



Tracheostomy Sterile Brush
Code: 20328



Instrument Cleaning Brush
Code: 20329



Iris Scissor
Code: 20339



Mosquito Forcep
Code: 20340



Iris Dressing Forcep
Code: 20341



Surgical Scrub Dry Brush
Code: 20330



Cotton Ball
Code: 20331



Tourniquet
Code: 20332



Staple Remover
Code: 20342



Webster Needle Holder
Code: 20343



Surgical Blade Handle
Code: 20344



DMK KOLDING



Denmark - 6000 Kolding
27 Jernbanegade - CVR.nr. 34353905

info@dmkkolding.dk
www.dmkkolding.dk

